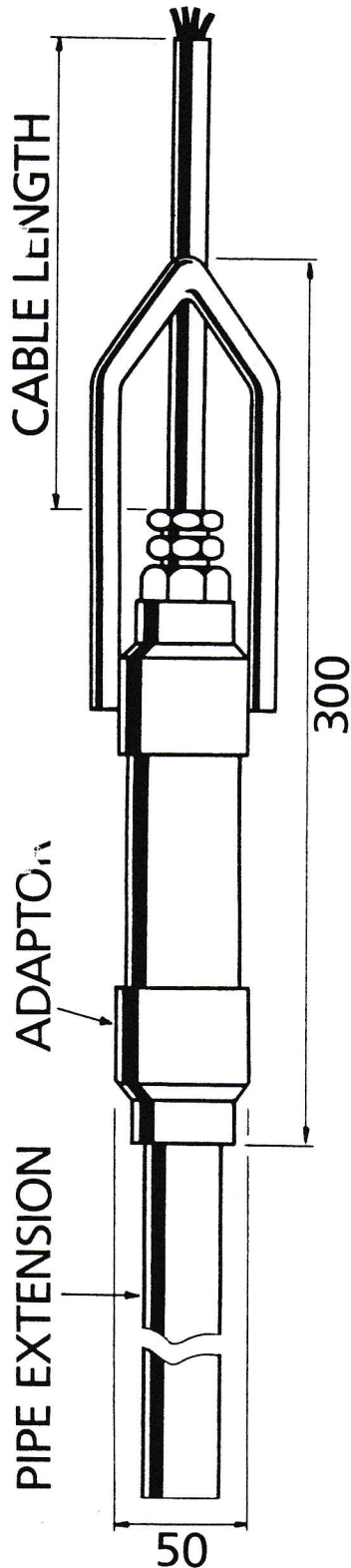




TILT SWITCH TYPE G

CODING DESCRIPTION

TYPE	CONTACT ARRANGEMENT	CABLE TYPE	VOLTAGE
G	2. = N/C 3. = N/O	O = ORANGE B = BLACK NEOPRENE S = SCREENED U = ULTRA VIOLET STABILISED A = ARMoured	L = 24V AC or DC 0.25A H = 440V AC 0.25A 120V DC 0.2A



CABLE TYPE

- O = Orange PVC covered general purpose type suitable for all voltages up to 440V AC and 75°C.
- B = Black neoprene covered type suitable for all voltages up to 440V AC and 90°C.
- S = Screened PVC covered type suitable for all voltages up to 440V AC and 90°C.
- U = Black ultra violet light stabilised, PVC covered type, suitable for all voltages up to 440V AC and 90°C.

CONSTRUCTION

Zinc electro plated heavy duty steel.
Fitted with water tight cable gland.
Adaptor fitted to allow 3/4 inch B.S.P. pipe extension.
Built to IP 66D.

LENGTH OF CABLE

6 metres standard.

WEIGHT

The total weight of unit = 1.95kg.

USAGE

To switch relays, indicating lights, PLC's direct.

OPTION

Use with control switch amplifier TYPE EPT3 — R or
TYPE EPT3 — R — A

ORDERING EXAMPLE FOR CUSTOMER REQUIREMENT

Tilt Switch type G having adaptor for 3/4 inch B.S.P. pipe extension with one N/C contact. General purpose orange cable. Suitable for 240V AC.

TILT SWITCH G-2-O-H

