



TILT SWITCH TYPE K

CODING DESCRIPTION

TYPE	CONTACT ARRANGEMENT	CABLE TYPE	VOLTAGE
K	1. = N/O N/C	B = BLACK NEOPRENE	L = 24V AC or DC 0.25A
	4. = N/C N/C		H = 440V AC 0.25A
	5. = N/O N/O	S = SCREENED	120V DC 0.2A
		U = ULTRA VIOLET STABILISED	
		A = ARMoured	

CABLE TYPE

- O = Orange PVC covered general purpose type suitable for all voltages up to 440V AC and 75°C.
- B = Black neoprene covered type suitable for all voltages up to 440V AC and 90°C.
- S = Screened PVC covered type suitable for all voltages up to 440V AC and 90°C.
- U = Black ultra violet light stabilised, PVC covered type, suitable for all voltages up to 440V AC and 90°C.

CONSTRUCTION

Zinc electro plated heavy duty steel.
Fitted with water tight gland.
Built to IP 66D.

LENGTH OF CABLE

6 metres standard.

WEIGHT

The total weight of unit = 2.10kg.

USAGE

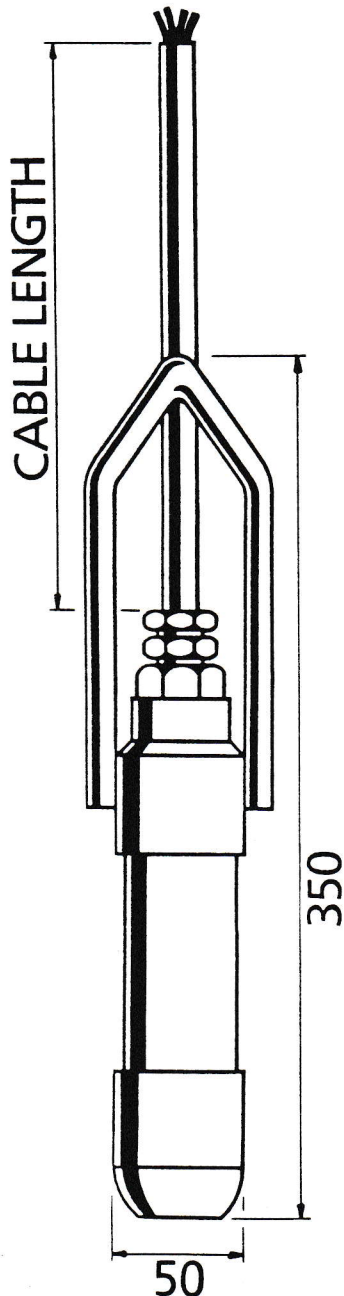
To switch relays, indicating lights, PLC's direct.

OPTION

Use with control switch amplifier TYPE EPT3 — R or
TYPE EPT3 — R — A

ORDERING EXAMPLE FOR A CUSTOMER REQUIREMENT

Type K Tilt Switch with one N/O and one N/C contact.
Black neoprene cable. Suitable for 24V DC.



TILT SWITCH K-1-B-L

